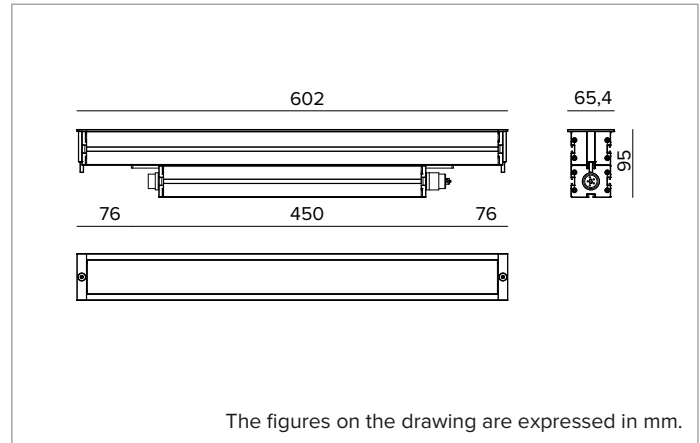


E0572FFL830ELBA | JEDI NOVA 55 Recessed

Recessed linear LED projector



	3000K	H(m)	D(m)	E _{max} (lx)		
	Ra80		27°			
	Fixture Power	35W	1	0.47	8137	
	Source Flux	4548lm	2	0.95	2034	
	Fixture Flux	2219lm	3	1.42	904	
TS2184	I _{max} =1789cd/klm	I _{max}	8137cd	5	2.37	325



SOURCE

High Power High Efficiency Ra80 linear LED board.

Nominal power: 31.5

Nominal flux: 4548lm

Colour rendering index: 80

CCT nominal: 3000K

ILLUMINOTECHNICAL CHARACTERISTICS

Optic made of optical grade PMMA TIR lenses and a holographic filter. Comfort version with integrated optical accessory: aluminum honeycomb grid, matte black finish.

Optic: LENS

Beam angles: FL 30°

Optical efficiency: 49%

Fixture flux: 2219lm

Luminous efficacy: 63lm/W

Photobiological safety: Compliant with RG1 low risk group

MECHANICAL CHARACTERISTICS

Extruded anodised aluminium 15μ body. Extra clear 10mm thick glass flat screen.

Colour and finish: Black anodized

Dimensions: L=602mm

Weight: 3.8Kg

Version: Comfort

Degree of protection: IP66,IP67,IP68,IP69

Mechanical Resistance: IK10

ELECTRICAL CHARACTERISTICS

Integrated driver, available in the ON-OFF version (positioned below the optical body). Supplied with through-wiring with longitudinal sealing IN/OUT panel connectors (the sealing limits the risk of humidity raising towards the driver/optical body). Luminaire compliant with EN 60598-2-22 for power supply from a centralised emergency system CPSS (Central Power Supply System), not incorporated in the luminaire - high risk areas excluded. The default power and flux are 100% in AC and 100% in DC.

Fixture Power: 35W

Power supply: 220-240Vac 50/60Hz

Insulation Class: CLASS 1

Type of driver / Control: ON-OFF

Driver included: YES

Class F: YES

Ambient temperature: 0°C / +35°C

INSTALLATION

To be completed with an anodised aluminium insertion box. Continuous in-line installation version available.

NOTES

110-277Vac version available on request. All versions meet the drive-over and walk-over requirements of EN 60598-2-13. IP68: the projector is not suitable for permanent underwater installation but can withstand temporary accidental immersion to a depth of 1.5 metres (max.1h). IP69: IEC/EN 60529 standard compliant.

WARRANTY

5 years.

WARNING

Luminaire designed for disposal/recycling at end-of-life. Replaceable (LED only) light source by a professional. Replaceable control gear by a professional.

Due to the technological evolution of the electronic components, the data provided may be updated, and as such, confirmation must be requested during the order process.

Luminous flux and power supply have +/-10% tolerances with respect to the indicated value. tq +25°C (CIE 121).

We reserve the right to make technical changes.

Targetti Sankey S.r.l.
Via Pratese, 164
50145 Firenze - Italy
Tel: +39 055 37911
targetti.com
targetti@targetti.com

CCIAA Firenze
Share Capital:
€ 500.000,00
VAT N. (IT):
01537660480
R.E.A.: FI-275656

TARGETTI

E0572FFL830ELBA | JEDI NOVA 55 Recessed Recessed linear LED projector

Related codes

Insertion Box



L mm	H mm	P mm	Version	Code
606	108	100	Stand Alone	A113Z

Aluminium outer casing for Jedi Nova 55.
In black anodised aluminum.



L mm	H mm	P mm	Version	Code
604	108	100	System	A114Z

Aluminium outer casing for Jedi Nova 55.
In black anodised aluminum.

Mounting System



Code

A116

Fixing plate kit for A113 and A114 installation sleeves.
In aluminum.

Accessories

Connector



Code

A117

IP66/IP68 female connector.
5 pôles (STANDARD 3G2,5mm² MAX, DALI 5G1,5mm² MAX).
Cable diameter range from 7 to 12mm.



Code

A118

Male/female IP66/IP68 connector kit.
5 pôles (STANDARD 3G2,5mm² MAX, DALI 5G1,5mm² MAX).
Cable diameter range from 7 to 12mm.



Code

A119

Multiple connection box IP68.
1 IN - 2 OUT 5 poles (STANDARD 3G2,5mm² MAX, DALI 5G1,5mm² MAX).
Cable diameter range from 7 to 12mm.

Due to the technological evolution of the electronic components, the data provided may be updated, and as such, confirmation must be requested during the order process.

Luminous flux and power supply have +/-10% tolerances with respect to the indicated value. tq +25°C (CIE 121).

We reserve the right to make technical changes.

Targetti Sankey S.r.l.
Via Pratese, 164
50145 Firenze - Italy
Tel: +39 055 37911
targetti.com
targetti@targetti.com

CCIAA Firenze
Share Capital:
€ 500.000,00
VAT N. (IT):
01537660480
R.E.A.: FI-275656

TARGETTI

E0572FFL830ELBA | JEDI NOVA 55 Recessed

Recessed linear LED projector

Cable



	L mm	Code
	1000	A120Z
	2000	A120Y
	3000	A120X

Connection cable.
Complete with 5 pole connectors.
For the ON-OFF and DALI version.

Due to the technological evolution of the electronic components, the data provided may be updated, and as such, confirmation must be requested during the order process.
Luminous flux and power supply have +/-10% tolerances with respect to the indicated value. tq +25°C (CIE 121).

We reserve the right to make technical changes.

Targetti Sankey S.r.l.
Via Pratese, 164
50145 Firenze - Italy
Tel: +39 055 37911
targetti.com
targetti@targetti.com

CCIAA Firenze
Share Capital:
€ 500.000,00
VAT N. (IT):
01537660480
R.E.A: FI-275656

TARGETTI